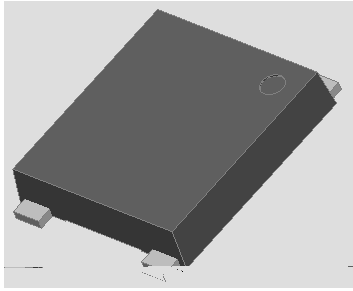


Bridge Rectifiers

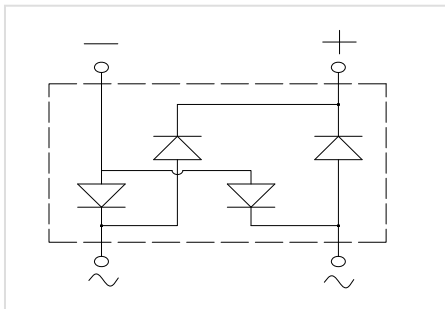


Features

- UL recognition, file #E313149
- Glass passivated chip junction
- Ideal for automated placement
- High surge current capability
- Meets MSL level 1, per J-STD-020, LF maximum peak of 260 °C

Typical Applications

General purpose use in AC/DC bridge full wave rectification for SMPS, lighting ballaster, adapter, battery charger, home appliances, office equipment, and telecommunication applications.



Mechanical Data

- Package:** YBS
- Molding compound meets UL 94 V-0 flammability rating, RoHS-comp

										YBS3008	YBS3010
Maximum Repetitive Peak Reverse Voltage	V_{RRM}	V									
Average rectified output current @60Hz sine wave, R-load, $T_c=110$	I_o	A									3.0
Forward Surge Current (Non-repetitive) @60Hz Half-sine wave, 1 cycle, $T_j=25$	I_{FSM}	A									110
Forward Surge Current (Non-repetitive) @1ms, square wave, 1 cycle, $T_j=25$											220
Current squared time @1ms $t < 8.3ms$ $T_j=25$ Rating of per diode	I^2t	A^2s									50.2
Storage temperature	T_{stg}										-55 ~ +150
Junction temperature	T_j										-55 ~ +150



YBS30005 THRU YBS3010

Electrical Characteristics $T_a=25$ Unless otherwise specified

PARAMETER	SYMBOL	UNIT	TEST CONDITIONS	YBS30005	YBS3001	YBS3002	YBS3004	YBS3006	YBS3008	YBS3010
Instantaneous forward voltage drop per diode	V_F	V	$I_{FM}=1.5A$				1.0			
DC reverse current at blocking voltage per diode	I_R	μA	$T_j=25$				5			
			$T_j=125$				100			
Transition capacitance	C_j	pF	Measured at 1MHz and Applied Reverse Voltage of 4.0 V.D.C				34			

Thermal Characteristics $T_a=25$ Unless otherwise specified

PARAMETER	SYMBOL	UNIT	YBS30005	YBS3001	YBS3002	YBS3004	YBS3006	YBS3008	YBS3010
Between Junction and Ambient	R_{J-A}	/W				55.0			
Between Junction and Lead	R_{J-L}					15.0			
Between Junction and Case	R_{J-C}					10.0			

Device mounted on P.C.B with 35mm*25mm*1.7mm.

Packing Information (Example)

ORDER P/N	PACKING CODE	UNIT WEIGHT(g)	MINIMUM PACKAGE(pcs)	INNER BOX QUANTITY(pcs)
-----------	--------------	----------------	----------------------	-------------------------



YBS30005 THRU YBS3010

FIG3: Typical Forward Voltage

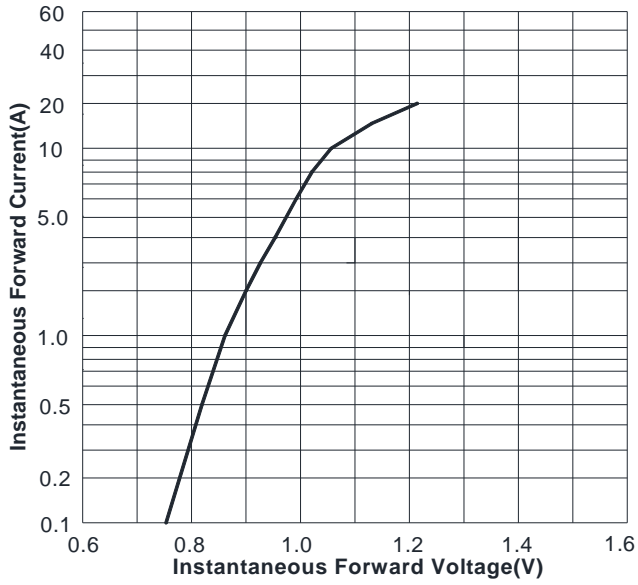
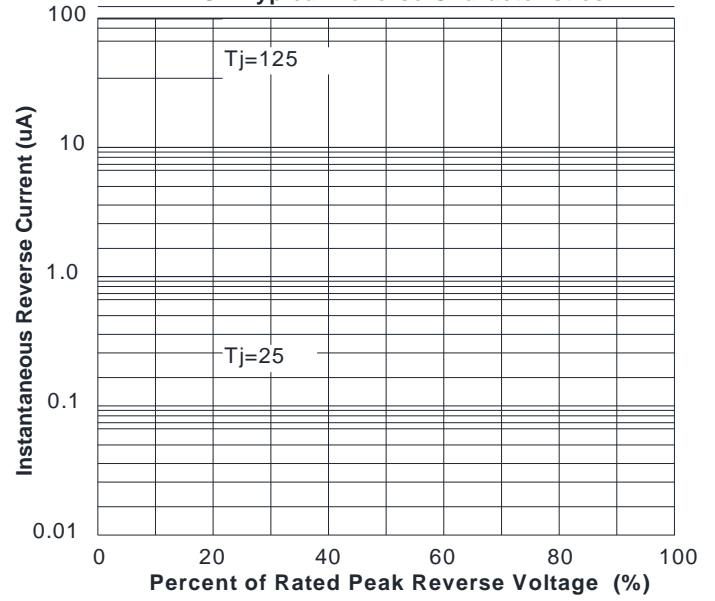


FIG4: Typical Reverse Characteristics



Outline Dimensions

YBS		
Dim	Min	Max
A	5.00	5.20
B	6.50	6.70
C	7.20	7.40
D	7.90	8.60
E	2.90	3.10
F	0.04	0.08
G	0.27	0.40
H	1.30	1.50
I	0.95	1.15
J	0.70	1.05

